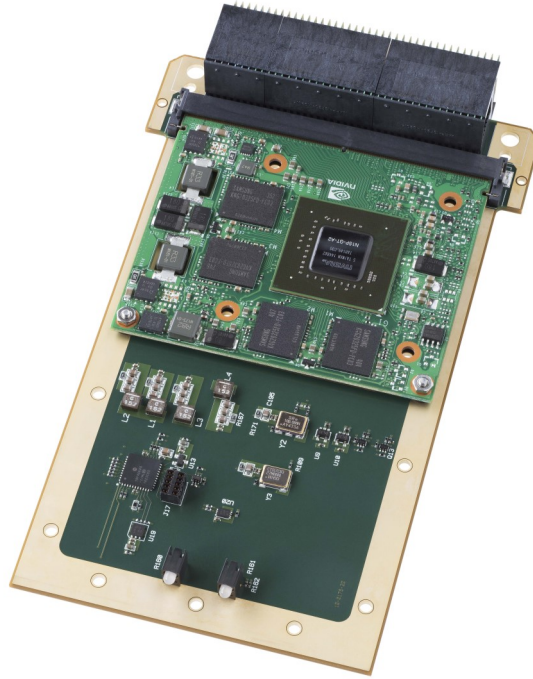




Condor GR2 3U VPX



Rugged 3U VPX Graphics / Video Card with CUDA® Support

The Condor GR2 3U VPX is a 3U VPX graphics / video card based on the NVIDIA® Pascal™ Quadro P5000/P3000/GTX 1050 Ti GPUs or NVIDIA Maxwell™ GeForce® GTX 950M. The Condor GR2 3U VPX offers very high performance graphics and GPGPU capability with CUDA® support for the embedded /rugged market.

The 3U VPX form factor offers higher power tolerance and hence higher performance compared to smaller rugged form factors. It also offers very high GPGPU performance using CUDA™ or OpenCL™ up to 6.4 TFLOPs floating-point performance.

The Condor GR2 3U VPX is a conduction cooled or air cooled 3U VPX card that supports PCI Express 3.0 (16, 8 or 4 lane) when mated with compatible Single Board Computers (SBCs). Two DisplayPort outputs are available from the rear P2 VPX connector. The board can consume up to 100W based on the application.

The Condor GR2 3U VPX graphics / video card is ideal for a myriad of intensive compute applications. The board design is modular to allow for graphics performance upgrades in the future. This product is designed to withstand high temperature, shock and vibration environments and because of this, the board meets MIL-STD-810G standards.

There are many customizations that are possible such as different video outputs from the rear VPX connectors or a front I/O configuration. Please contact EIZO Rugged Solutions at condor@eizo.com for more information.

The product comes with EIZO Rugged Solutions' commitment of support from our experienced and responsive team who can offer immediate assistance to troubleshoot and resolve any technical challenges.

Windows and Linux drivers are provided for x86 based platforms. The max power consumption of the board can be temporarily reduced by adjusting the graphics clock speed with a software utility after boot.

EIZO Rugged Solutions has provided graphics solutions for nearly three decades and has always met customer needs with long term commitment and support.

Key Features

- 3U VPX Form Factor
- NVIDIA® Pascal™ or NVIDIA® Maxwell™ GPU
- GPUs: Quadro P5000, Quadro P3000 GTX 1050 Ti or GTX 950M,
- Supports NVIDIA CUDA® 6.1 and OpenCL™ 1.2
- Up to 16GB GDDR5 Graphics Memory
- Up to 6.4 TFLOPs Floating-point Performance
- DirectX® 12 & OpenGL 4.6 Support
- 16, 8 or 4 Lane PCI Express 3.0
- Two DisplayPort Outputs
- Air Cooled and Conduction Cooled Variants
- Long Term Product Availability
- Comprehensive Customer Care
- Ideal for Rugged Applications

Platforms

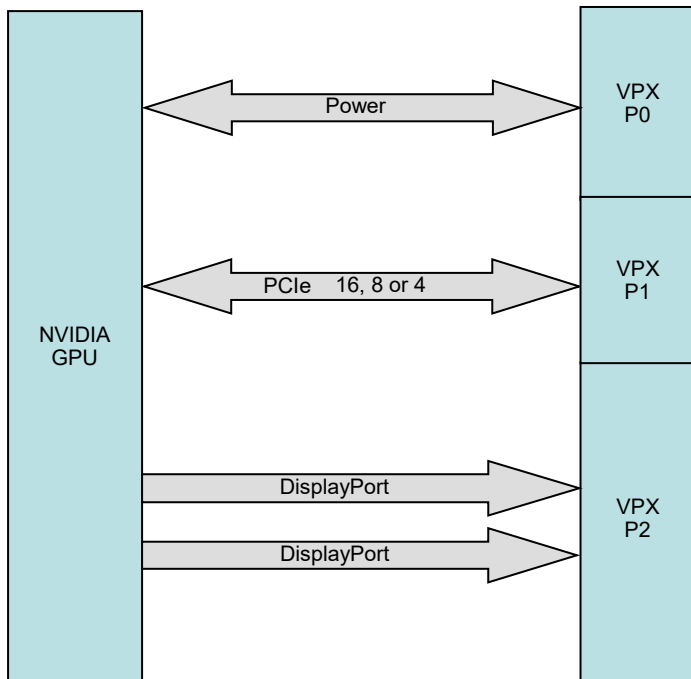
- Linux/Windows 7 on x86
- 3U VPX
- Other Platforms as Required

Condor GR2 3U VPX Specifications

Graphics Processor	NVIDIA® Pascal™ or NVIDIA® Maxwell™ GPU Architecture NVIDIA GeForce Quadro P5000, Quadro P3000, GTX 1050 Ti or GTX 950M
Interface	3U VPX Form Factor. 0.8” Pitch (conduction cooled). 1” Pitch (air cooled) 16, 8 or 4 Lane PCI Express 3.0, 2.0, 1.0
Graphics Memory & Bandwidth	Quadro P5000: 16GB GDDR5, 192 GB/sec, Quadro P3000: 6GB GDDR5, 168 GB/sec, GTX 1050M: 4GB GDDR5, 112 GB/sec, GTX 950M: 4GB GDDR5, 80 GB/sec
Video Outputs (Rear VPX P2)	Two DisplayPort (DisplayPort can be converted to DVI or VGA with adapters)
DirectX / OpenGL Support	DirectX 12, OpenGL 4.6
OpenCL™ / CUDA™ (GPGPU computing)	CUDA 6.1, OpenCL™ 1.2, CUDA™ C, CUDA™ C++ 2048 (P5000), 1280 (P3000), 768 (1050 Ti) or 640 (950M) CUDA cores 6.4 TFLOPs (P5000), 3.9 TFLOPs (P3000), 2.29 TFLOPs (1050 Ti), 1.271 TFLOPs (950M) floating-point performance
Power Consumption	50 - 100W (based on application)
Operating Temperature (MIL-STD-810G)	0°C to 55°C (Standard) -40°C to 70°C (Rugged Air Cooled) -40°C to 85°C (Rugged Conduction Cooled)
Humidity	95% without condensation
Vibration / Shock	Compliant with MIL-STD-810G
Software/Platform Support	Windows or Linux x86

Condor GR2 3U VPX Block Diagram

Condor GR2 3U VPX with Heatsink



For customizations involving I/O or pin-outs, please contact condor@eizo.com

Bringing your projects to life™



EIZO Rugged Solutions
Formerly Tech Source

11/21/2017 Rev E

EIZO Rugged Solutions

442 Northlake Blvd

Altamonte Springs, FL 32701, USA

407.262.7100

Website: www.eizorugged.com Email: condor@eizo.com

EIZO Rugged Solutions Inc, Condor and the EIZO Rugged Solutions logo are trademarks of EIZO Corporation. EIZO name and logo are registered trademarks of EIZO Corporation. All other trademarks are the property of their respective owners. ©2017 EIZO Rugged Solutions. All rights reserved. Information in this document is subject to change without notice. EIZO Rugged Solutions assumes no responsibility for errors or omissions that may appear in this document.